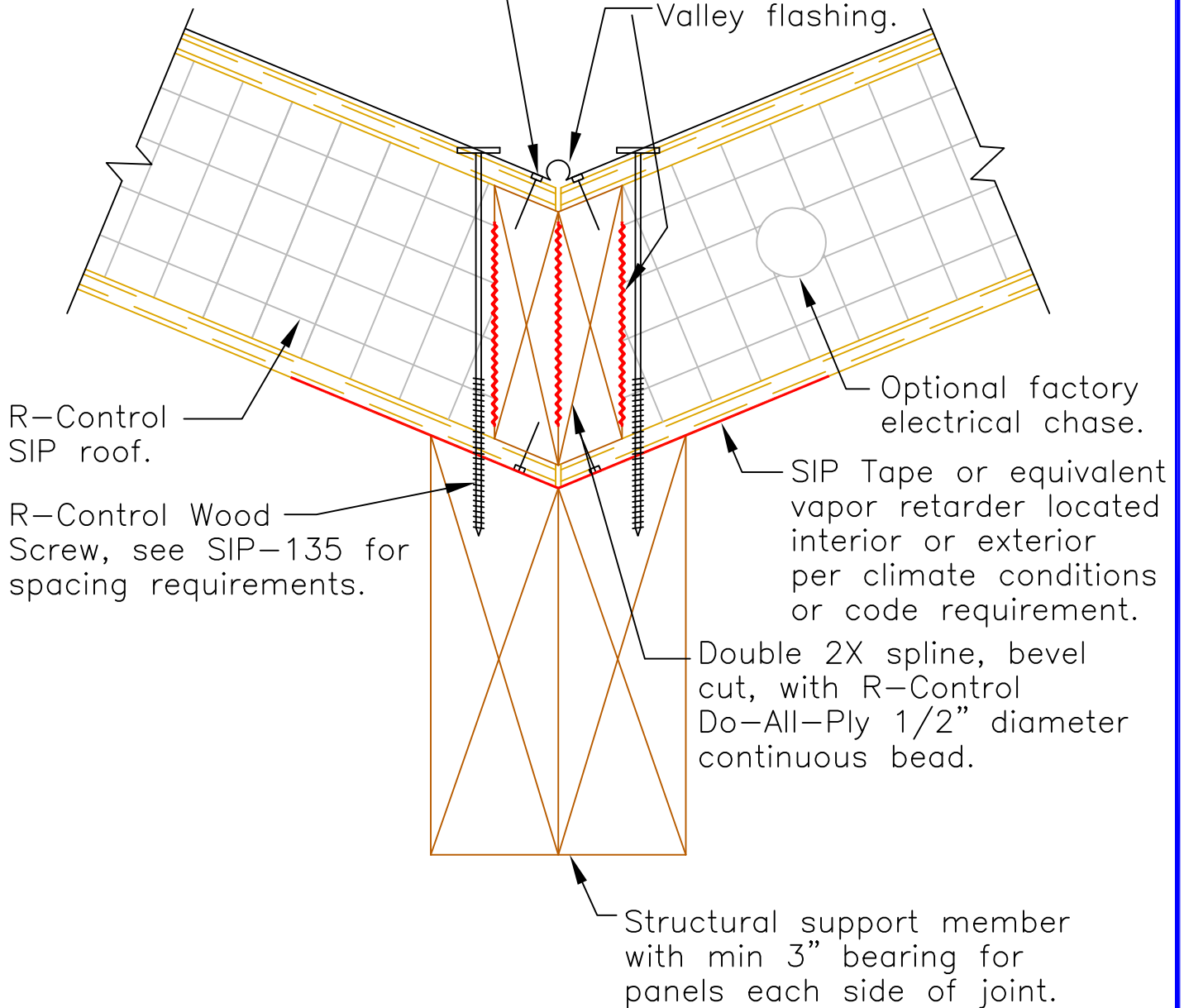


Note: roof covering & underlayment as req'd by code.

8d box (0.113) nails @ 6" o.c. both sides of panel joint or equivalent. Typical each side of panel.

R-Control Do-All-Ply 1/2" diameter continuous bead, each side.
Valley flashing.



SECTION

Scale: NTS

Updated 1-16-12

R-Control® SIP

TITLE:
Roof Valley - Plumb Cut

NO.
SIP-120